

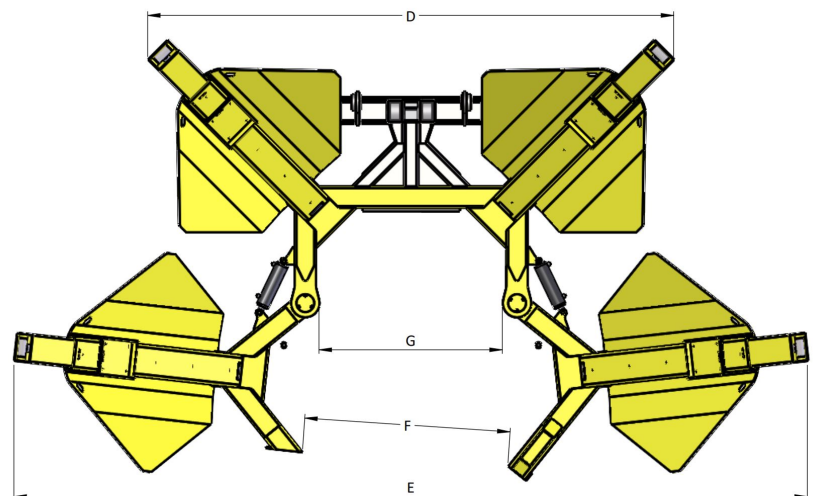
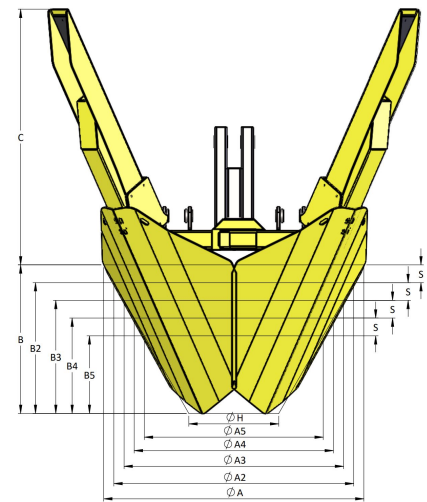
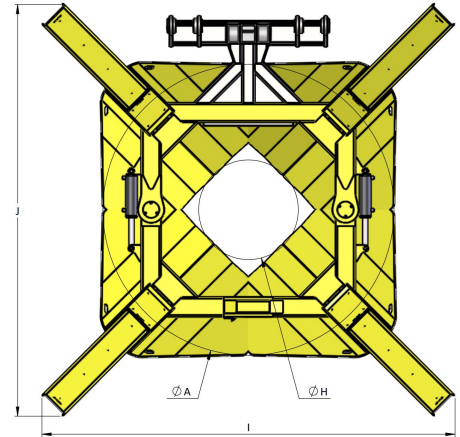


# 860i - 4 BLADE 30 DEGREE INSIDE FRAME

## Basic Machine:

Maximum Rootball Diameter	A	62.1"	158 cm
Root Ball Depth	B	39.5"	100 cm
Working Height	C	66.3"	168 cm
Working Width (Closed)	D	110.9"	282 cm
Working Width (Open)	E	164.1"	417 cm
Open Gate Clearance	F	35.8"	91 cm
Inner Diameter (Max Trunk Size)	G	37.1"	94 cm
Lower Rootball Diameter	H	16.4"	42 cm
Closed Width	I	94.7"	241 cm
Overall Length	J	94.7"	241 cm
Machine Weight	M	3000 lbs	1361 kg
Rootball Volume	V	35 ft <sup>3</sup>	0.99 m <sup>3</sup>
Rootball Weight	W	4000 lbs	1814 kg
Rootball Diameter 2	A2	55.1"	140 cm
Rootball Diameter 3	A3	48.2"	122 cm
Rootball Diameter 4	A4	41.3"	105 cm
Rootball Diameter 5	A5	34.4"	87 cm
Rootball Depth 2	B2	33.5"	85 cm
Rootball Depth 3	B3	27.5"	70 cm
Rootball Depth 4	B4	21.5"	55 cm
Rootball Depth 5	B5	15.5"	39 cm
Rootball Height Spacing	S	6"	15 cm

*All specifications are approximate.*



**Dutchman**  
INDUSTRIES INC.  
www.dutchmantreespade.com

Contact:  
905-683-8233  
800-293-0070  
info@dutchmantreespade.com