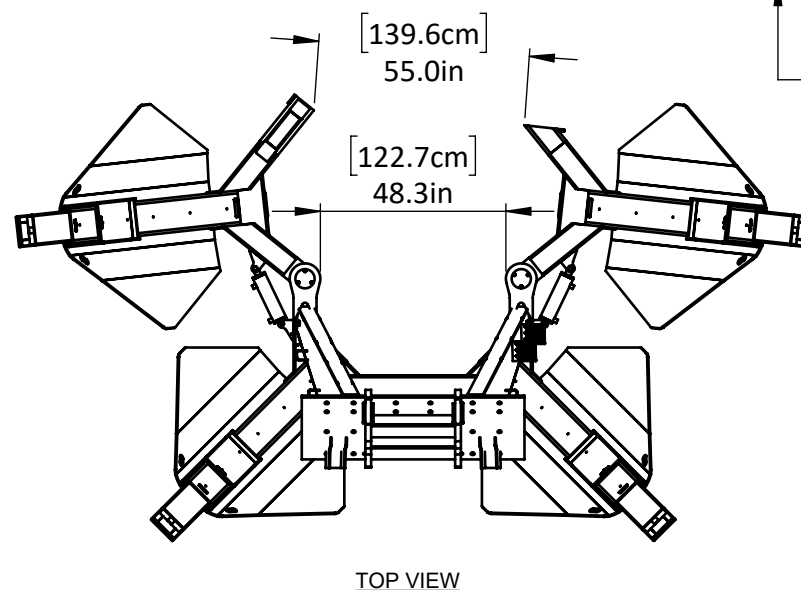
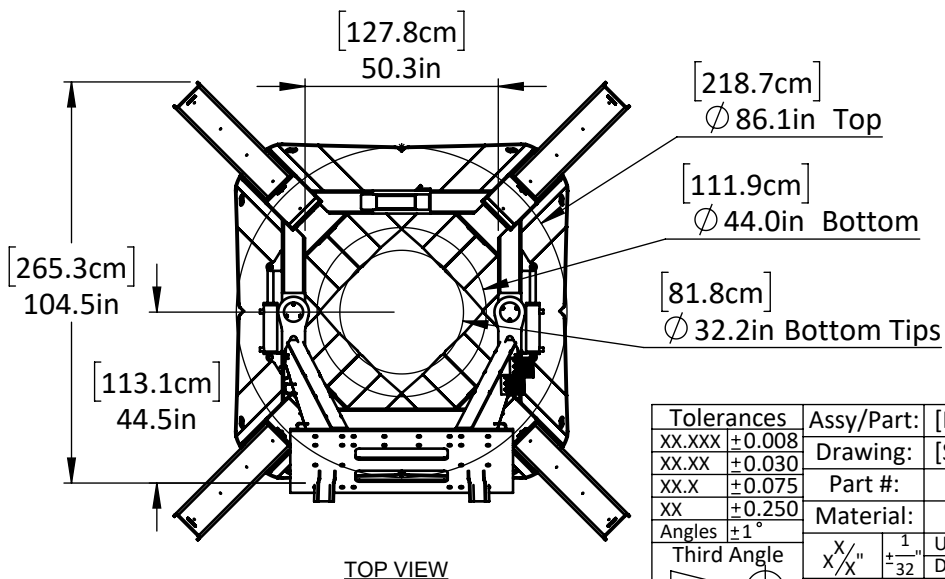
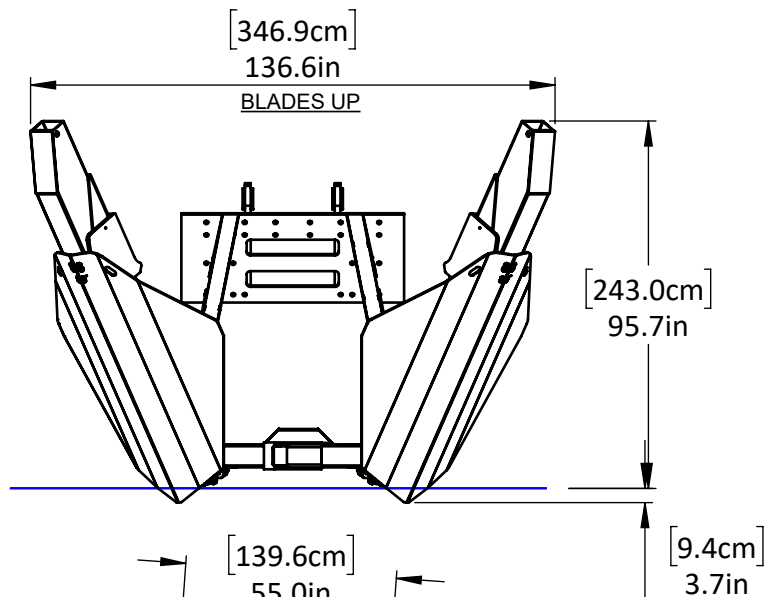
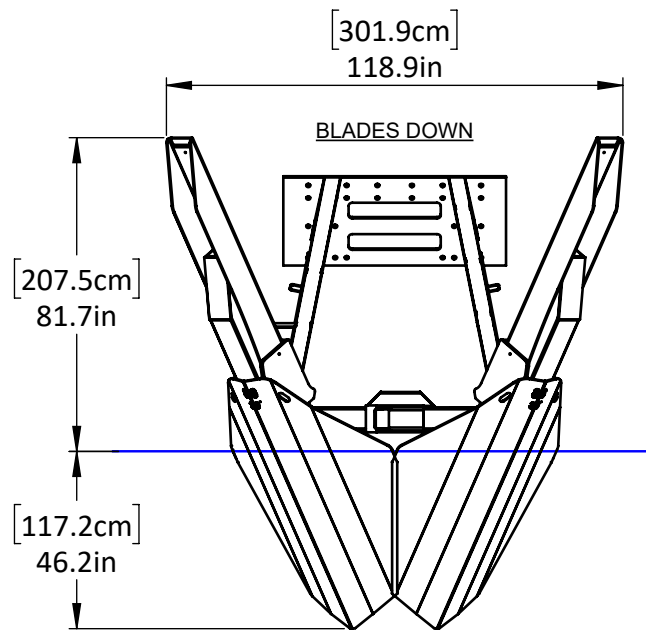


86" 4-Blade 30° Inside Frame (50" Stroke)

Machine Weight: 6000lbs [2630kg]

Rootball Weight: 6600lbs [3000kg]

Rootball Volume: 55.4ft³ [1.6m³]



Tolerances	Assy/Part: [Main] DMI-SPA-08614-CP30F-A1	Quantity:	
XX.XXX ±0.008	Drawing: [Specifications] DMI-SPA-08614-CP30F-A1	Revision:	
XX.XX ±0.030	Part #:	Scale:	1:40
XX.X ±0.075	Material:	Sheet:	1 of 1
XX ±0.250	Angles ±1°	Thickness:	
Third Angle	X/X" ±1/32"	Weight:	
	Unless otherwise noted all units are in: in, lb. Drawing is not to scale unless noted otherwise.	Designer:	
	Proprietary and confidential. Do not distribute the information contained in this drawing without written permission from Dutchman Industries Inc.	Date:	2020-08-26

Dutchman
INDUSTRIES INC.
3735 Sideline 16 N. Brougham, Ontario, Canada, L0H 1A0
1.800.293.0070
www.dutchmantreespade.com