

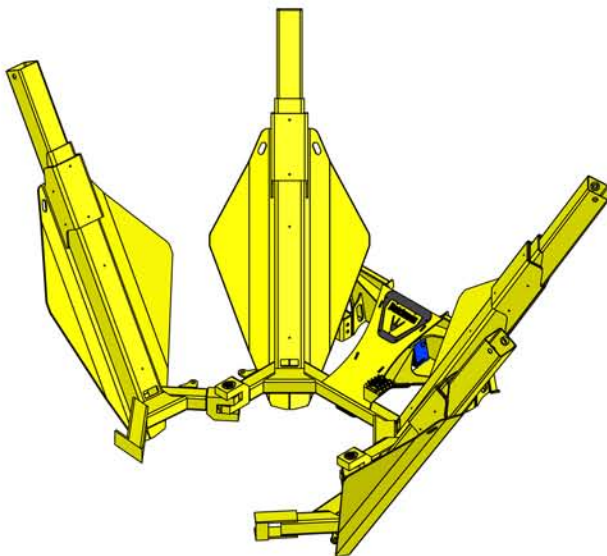
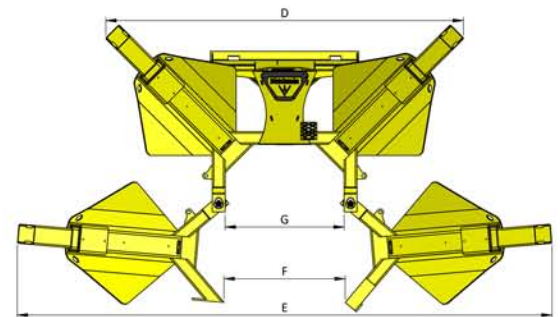
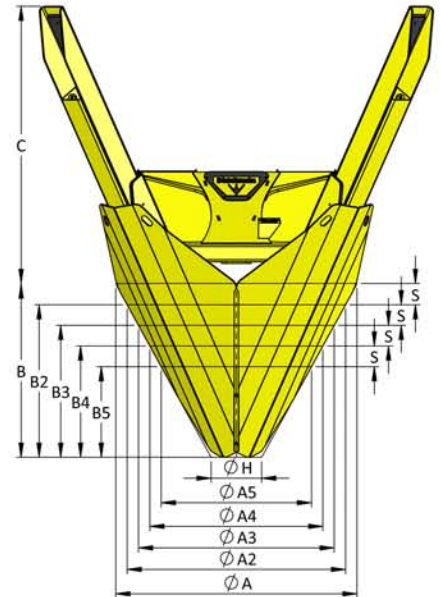
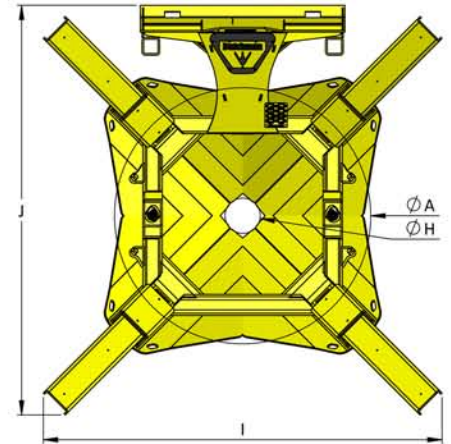


# 540i - 4 BLADE 30 DEGREE INSIDE FRAME

## Basic Machine:

Maximum Rootball Diameter	A	57.9"	(147 cm)
Root Ball Depth	B	39.6"	(101 cm)
Working Height	C	63.4"	(161 cm)
Working Width (Closed)	D	109.6"	(278 cm)
Working Width (Open)	E	166"	(422 cm)
Open Gate Clearance	F	37.8"	(96 cm)
Inner Diameter (Max Trunk Size)	G	37.1"	(94 cm)
Lower Rootball Diameter	H	8"	(20 cm)
Closed Width	I	90.1"	(229 cm)
Overall Length	J	92.7"	(235 cm)
Machine Weight	M	2800 lbs	(1270 kg)
Rootball Weight	W	3200 lbs	(1451 kg)
Rootball Volume	V	23.3 ft <sup>3</sup>	(0.66 m <sup>3</sup> )
Rootball Diameter 2	A2	52"	(132 cm)
Rootball Diameter 3	A3	46"	(117 cm)
Rootball Diameter 4	A4	40.1"	(102 cm)
Rootball Diameter 5	A5	34.1"	(87 cm)
Rootball Depth 2	B2	34.9"	(89 cm)
Rootball Depth 3	B3	30.2"	(77 cm)
Rootball Depth 4	B4	25.5"	(65 cm)
Rootball Depth 5	B5	20.7"	(53 cm)
Rootball Height Spacing	S	4.7"	(12 cm)

*All specifications are approximate.*



**Dutchman**  
INDUSTRIES INC.  
www.dutchmantreespade.com

Contact:  
905-683-8233  
800-293-0070  
info@dutchmantreespade.com