

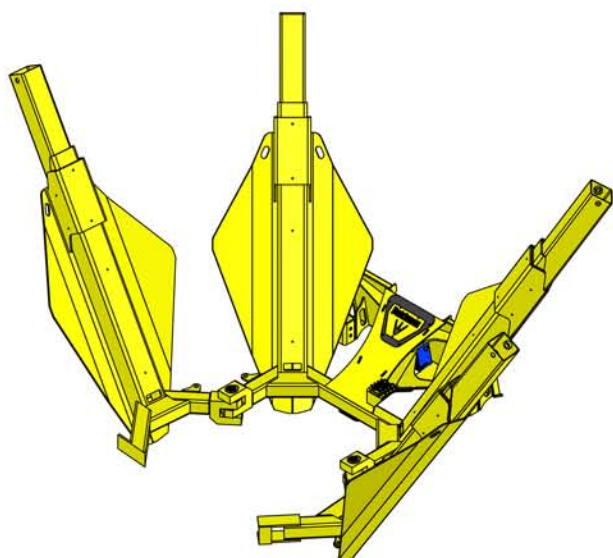
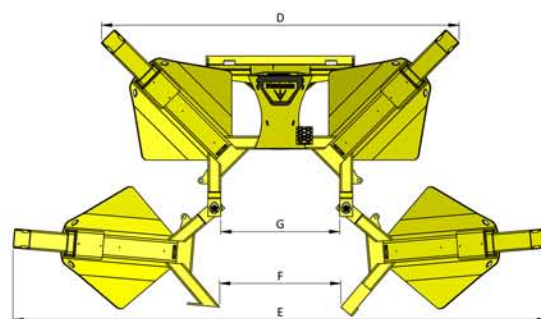
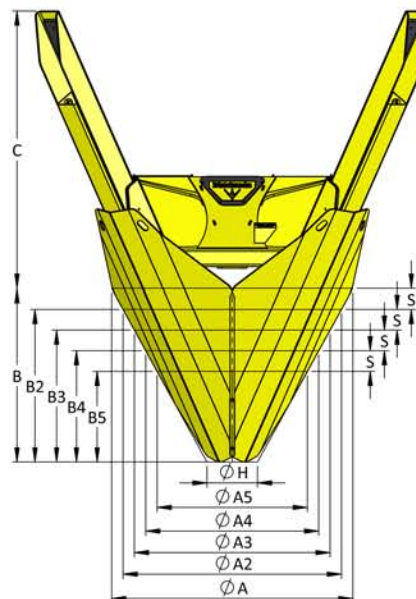
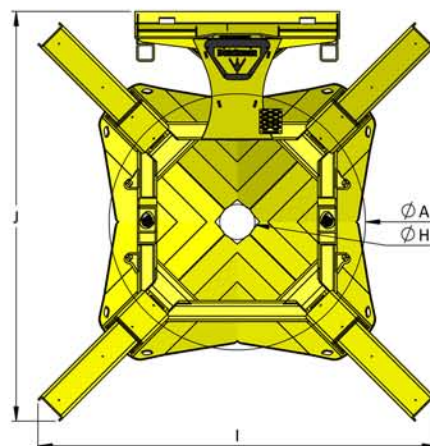


500i - 4 BLADE 30 DEGREE INSIDE FRAME

Basic Machine:

| | | | |
|--------------------------------|----|----------------------|------------------------|
| Maximum Rootball Diameter | A | 53.7 | (136 cm) |
| Root Ball Depth | B | 36.2" | (92 cm) |
| Working Height | C | 59.5" | (151 cm) |
| Working Width (Closed) | D | 101.7" | (258 cm) |
| Working Width (Open) | E | 150.3" | (382 cm) |
| Open Gate Clearance | F | 35.7" | (91 cm) |
| Inner Diameter (Max Tree Size) | G | 34.8" | (88 cm) |
| Lower Rootball Diameter | H | 8" | (20 cm) |
| Closed Width | I | 84.7" | (215 cm) |
| Overall Length | J | 85.6" | (217 cm) |
| Machine Weight | M | 2450 lbs | (1111 kg) |
| Rootball Weight | W | 2800 lbs | (1270 kg) |
| Rootball Volume | V | 18.5 ft ³ | (0.52 m ³) |
| Rootball Diameter 2 | A2 | 48.7" | (124 cm) |
| Rootball Diameter 3 | A3 | 43.8" | (111 cm) |
| Rootball Diameter 4 | A4 | 38.8" | (99 cm) |
| Rootball Diameter 5 | A5 | 33.8" | (86 cm) |
| Rootball Depth 2 | B2 | 32.3" | (82 cm) |
| Rootball Depth 3 | B3 | 28.3" | (72 cm) |
| Rootball Depth 4 | B4 | 24.4" | (62 cm) |
| Rootball Depth 5 | B5 | 20.5" | (52 cm) |
| Rootball Height Spacing | S | 3.9" | (10 cm) |

All specifications are approximate.



Dutchman
INDUSTRIES INC.
www.dutchmantreespade.com

Contact:
905-683-8233
800-293-0070
info@dutchmantreespade.com