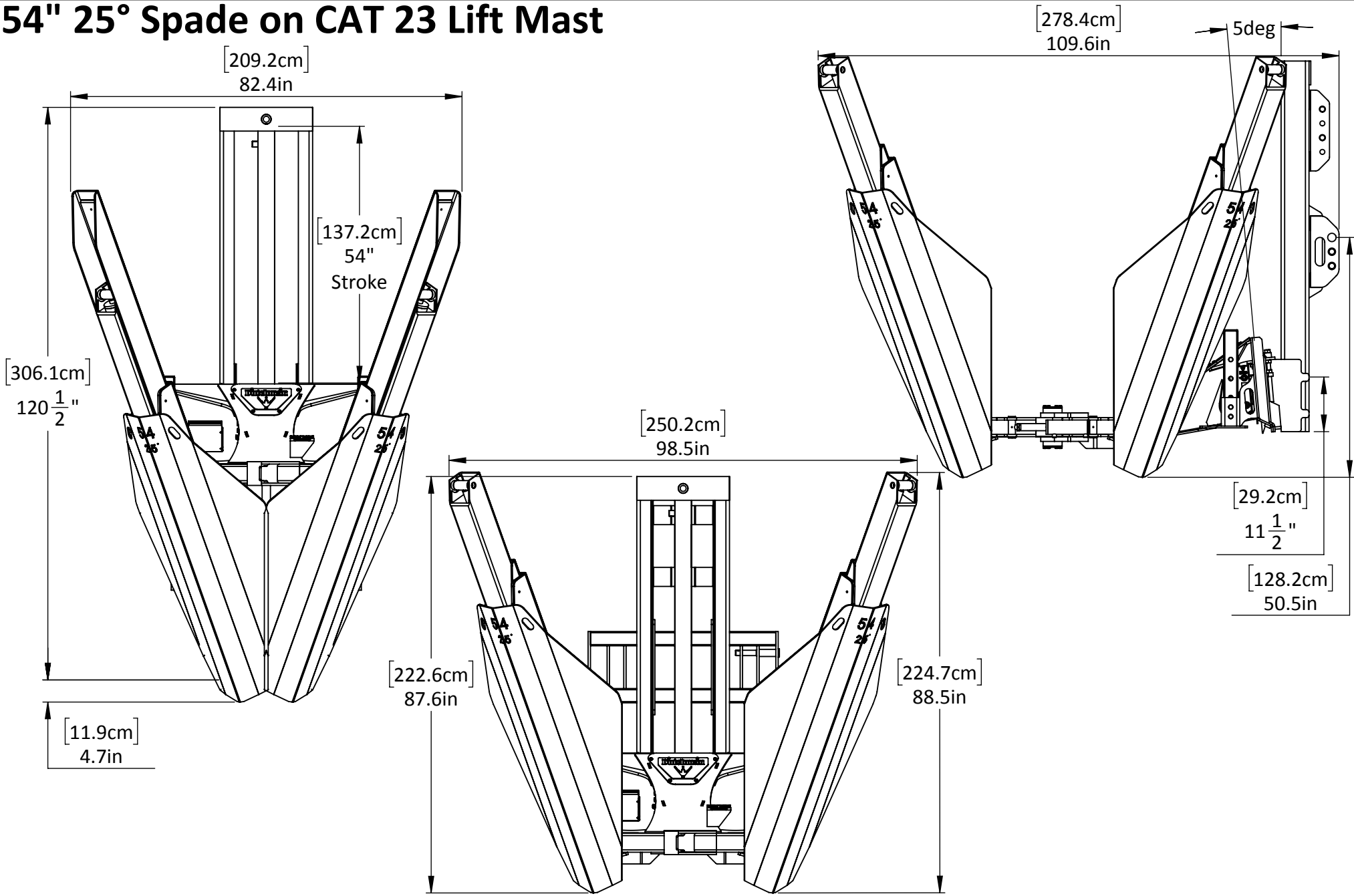
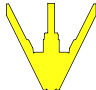



54" 25° Spade on CAT 23 Lift Mast



Tolerances	Assy/Part: Diagram v2	Quantity:	 Dutchman INDUSTRIES INC. <small>3735 Sideline 16 N. Brougham, Ontario, Canada, L0H 1A0 1.800.293.0070 www.dutchmantreespade.com</small>
XX.XXX ±0.008	Drawing: [Specifications] Category 23 Lift Mast with 54"-25° Spade	Revision:	
XX.XX ±0.030	Config: 5414-25° Down	Scale: 1:27	
XX.X ±0.062	Material: Material <not specified>	Sheet: 1 of 1	
XX ±0.125		Thickness:	Designer: Ghanshyam Patel
Angles ±1°	Unless otherwise noted all units are in: in, lb.	Weight: 3026.4	Date: Nov 17, 2015
Third Angle	 X/X" + ¹ / ₃₂ " Drawing is not to scale unless noted otherwise. Proprietary and confidential. Do not distribute the information contained in this drawing without written permission from Dutchman Industries Inc.		