



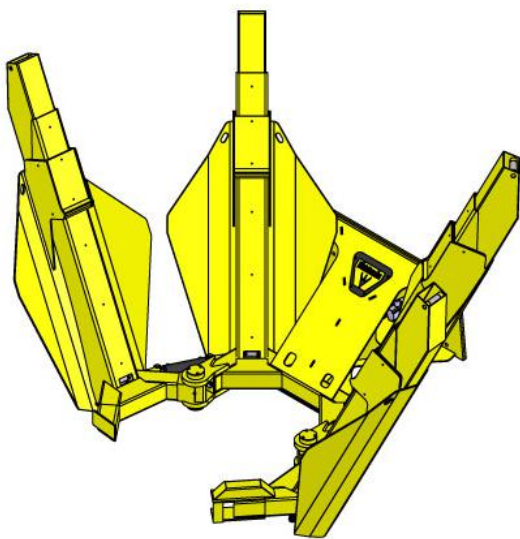
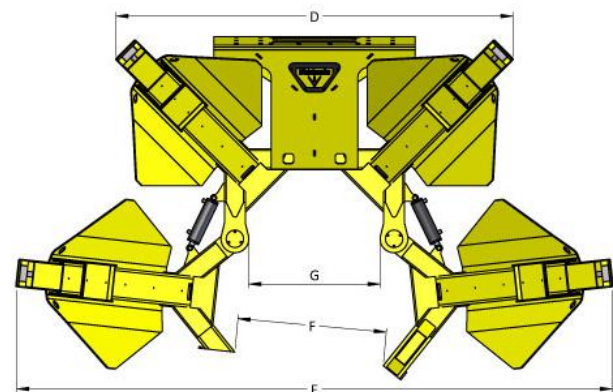
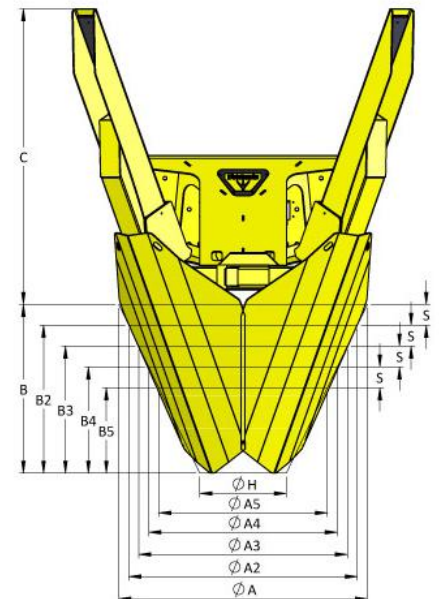
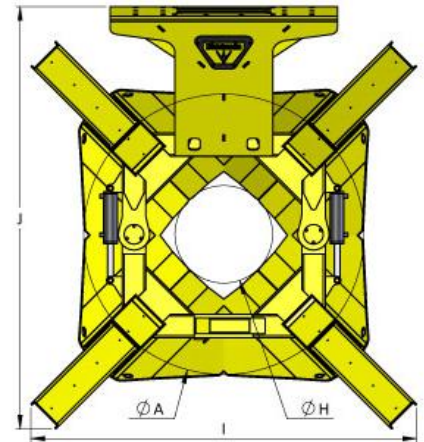
720i -

4 BLADE 25 DEGREE INSIDE FRAME

Basic Machine:

Maximum Rootball Diameter	A	71.6"	182 cm
Root Ball Depth	B	48.6"	123 cm
Working Height	C	85.1"	216 cm
Working Width (Closed)	D	114.2"	290 cm
Working Width (Open)	E	171.4"	435 cm
Open Gate Clearance	F	42.9"	109 cm
Inner Diameter (Max Trunk Size)	G	37.8"	96 cm
Lower Rootball Diameter	H	24.9"	63 cm
Closed Width	I	98.5"	250 cm
Overall Length	J	107.9"	274 cm
Machine Weight	M	5200 lbs	2359 kg
Rootball Volume	V	55.4 ft ³	1.57 m ³
Rootball Weight	W	5500 lbs	2495 kg
Rootball Diameter 2	A2	65.9"	167 cm
Rootball Diameter 3	A3	60.2"	153 cm
Rootball Diameter 4	A4	54.6"	139 cm
Rootball Diameter 5	A5	48.9"	124 cm
Rootball Depth 2	B2	42.7"	108 cm
Rootball Depth 3	B3	36.8"	93 cm
Rootball Depth 4	B4	30.9"	78 cm
Rootball Depth 5	B5	25"	63 cm
Rootball Height Spacing	S	5.9"	15 cm

All specifications are approximate.



Dutchman
INDUSTRIES INC.
www.dutchmantreespade.com

Contact:
905-683-8233
800-293-0070
info@dutchmantreespade.com