

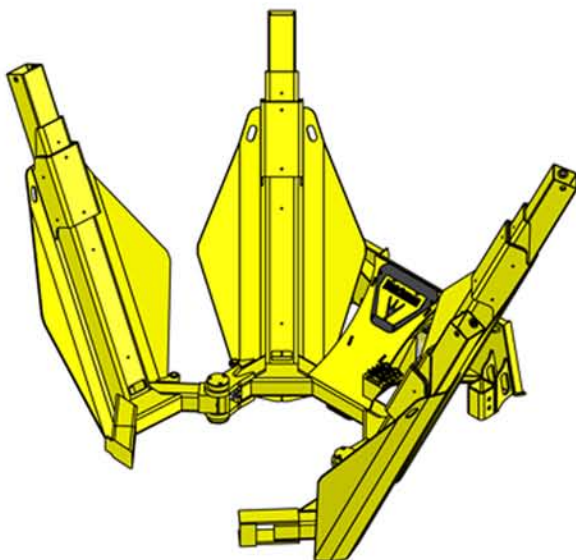
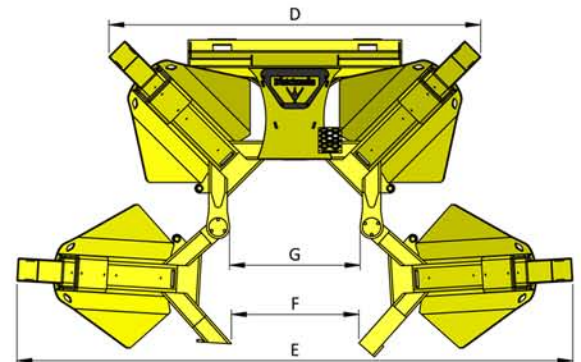
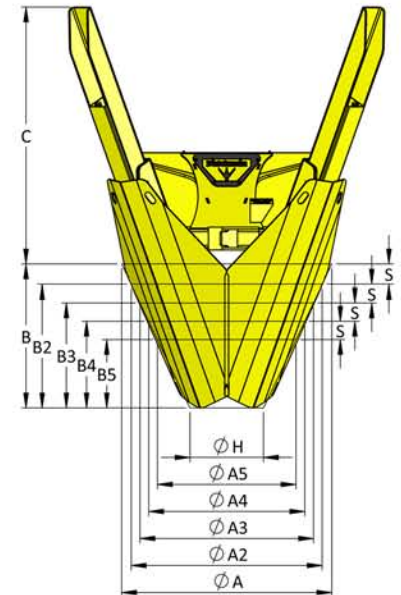
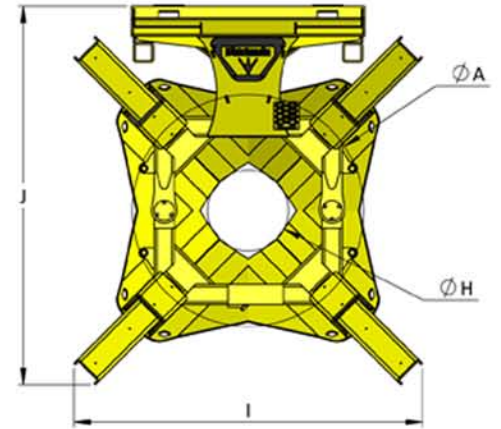


500i - 4 BLADE 25 DEGREE INSIDE FRAME

Basic Machine:

| | | | |
|--------------------------------|----|----------------------|------------------------|
| Maximum Rootball Diameter | A | 53.4" | (136 cm) |
| Root Ball Depth | B | 33.6" | (85 cm) |
| Working Height | C | 59.2" | (150 cm) |
| Working Width (Closed) | D | 88.4" | (225 cm) |
| Working Width (Open) | E | 133.9" | (340 cm) |
| Open Gate Clearance | F | 34.9" | (89 cm) |
| Inner Diameter (Max Tree Size) | G | 34" | (86 cm) |
| Lower Rootball Diameter | H | 19.2" | (49 cm) |
| Closed Width | I | 75" | (191 cm) |
| Overall Length | J | 82.9" | (211 cm) |
| Machine Weight | M | 2450 lbs | (1111 kg) |
| Rootball Weight | W | 2900 lbs | (1315 kg) |
| Rootball Volume | V | 21.6 ft ³ | (0.61 m ³) |
| Rootball Diameter 2 | A2 | 49.4" | (125 cm) |
| Rootball Diameter 3 | A3 | 45.4" | (115 cm) |
| Rootball Diameter 4 | A4 | 41.4" | (105 cm) |
| Rootball Diameter 5 | A5 | 37.4" | (95 cm) |
| Rootball Depth 2 | B2 | 29.7" | (75 cm) |
| Rootball Depth 3 | B3 | 25.7" | (65 cm) |
| Rootball Depth 4 | B4 | 21.8" | (55 cm) |
| Rootball Depth 5 | B5 | 17.9" | (45 cm) |
| Rootball Height Spacing | S | 3.9" | (10 cm) |

All specifications are approximate.



Dutchman
INDUSTRIES INC.
www.dutchmantreespade.com

Contact:
905-683-8233
800-293-0070
info@dutchmantreespade.com