

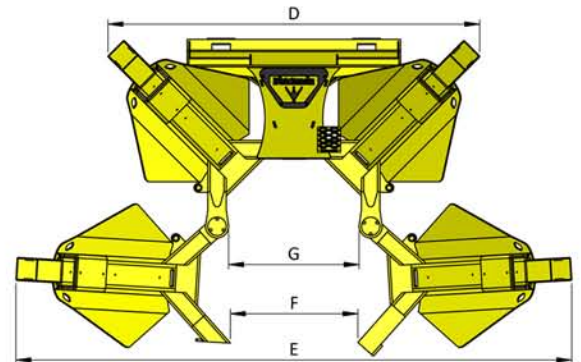
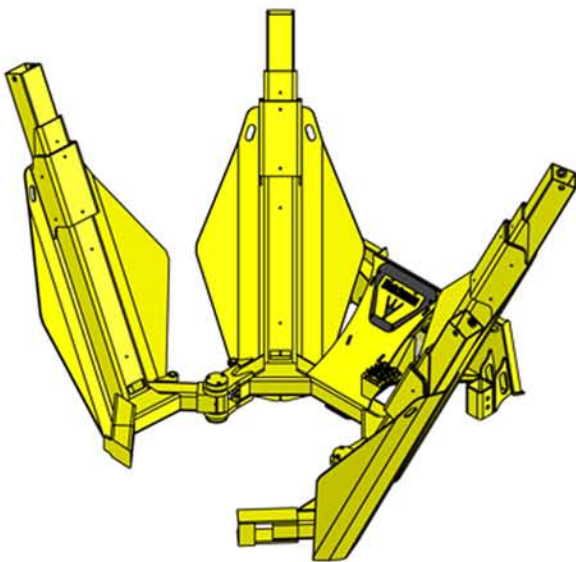
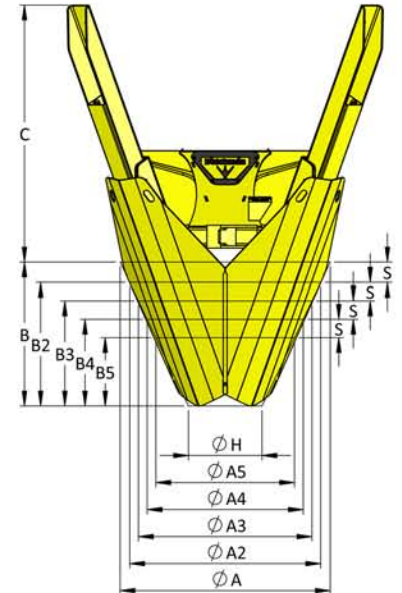
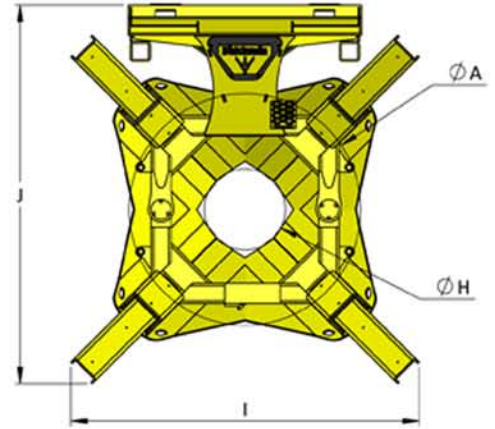


420i - 4 BLADE 25 DEGREE INSIDE FRAME

Basic Machine:

Maximum Rootball Diameter	A	45.1"	(115 cm)
Root Ball Depth	B	30.9"	(78 cm)
Working Height	C	56.6"	(144 cm)
Working Width (Closed)	D	76.7"	(195 cm)
Working Width (Open)	E	111"	(282 cm)
Open Gate Clearance	F	21.6"	(55 cm)
Inner Diameter (Max Trunk Size)	G	27.4"	(70 cm)
Lower Rootball Diameter	H	13.5"	(34 cm)
Closed Width	I	67.2"	(171 cm)
Overall Length	J	73.8"	(187 cm)
Machine Weight	M	2100 lbs	(953 kg)
Rootball Weight	W	1300 lbs	(590 kg)
Rootball Volume	V	13.2 ft ³	(0.37 m ³)
Rootball Diameter 2	A2	41.1"	(104 cm)
Rootball Diameter 3	A3	37"	(94 cm)
Rootball Diameter 4	A4	33"	(84 cm)
Rootball Diameter 5	A5	29"	(74 cm)
Rootball Depth 2	B2	27"	(68 cm)
Rootball Depth 3	B3	23"	(58 cm)
Rootball Depth 4	B4	19.1"	(48 cm)
Rootball Depth 5	B5	15.2"	(38 cm)
Rootball Height Spacing	S	3.9"	(10 cm)

All specifications are approximate.



Dutchman
INDUSTRIES INC.
www.dutchmantreespade.com

Contact:
905-683-8233
800-293-0070
info@dutchmantreespade.com