



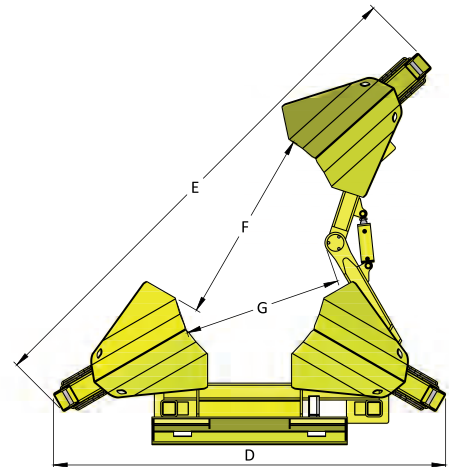
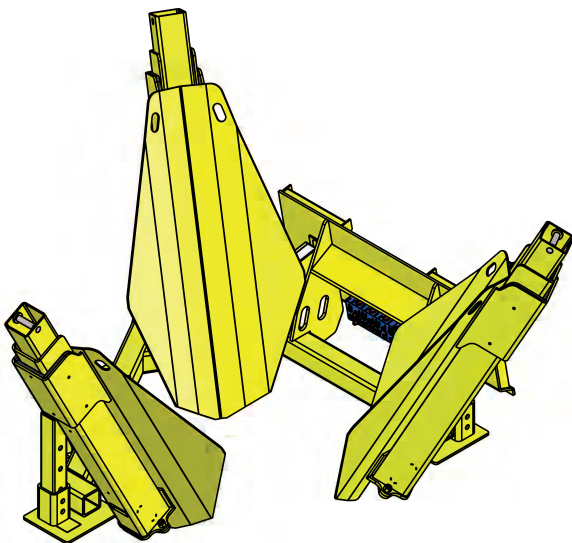
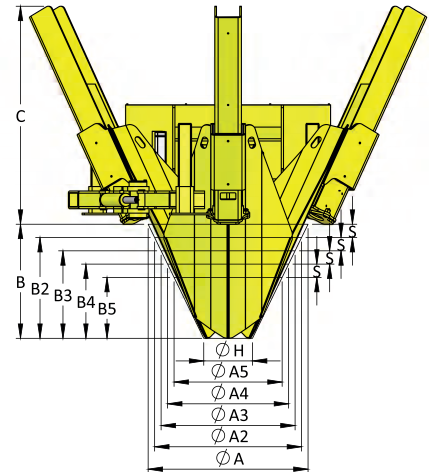
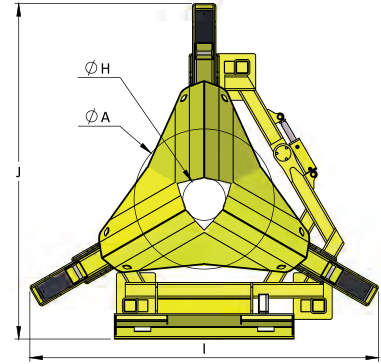
3600

3 BLADE 25 DEGREE OUTSIDE FRAME

Basic Machine

Maximum Rootball Diameter	A	39.6"	(101 cm)
Root Ball Depth	B	27.3"	(69 cm)
Working Height	C	51"	(130 cm)
Working Width (Closed)	D	99.6"	(253 cm)
Working Width (Open)	E	123.9"	(315 cm)
Open Gate Clearance	F	46.5"	(118 cm)
Inner Diameter (Max Trunk Size)	G	40.7"	(103 cm)
Lower Rootball Diameter	H	13.6"	(35 cm)
Closed Width	I	94.8"	(241 cm)
Overall Length	J	90.4"	(230 cm)
Machine Weight	M	1800 lbs	(816 kg)
Rootball Weight	W	9.5 ft ³	(0.27 m ³)
Rootball Volume	V	1100 lbs	(499 kg)
Rootball Diameter 2	A2	36.6"	(93 cm)
Rootball Diameter 3	A3	33.6"	(85 cm)
Rootball Diameter 4	A4	30.6"	(78 cm)
Rootball Diameter 5	A5	27.6"	(70 cm)
Rootball Depth 2	B2	24.2"	(61 cm)
Rootball Depth 3	B3	21"	(53 cm)
Rootball Depth 4	B4	17.9"	(45 cm)
Rootball Depth 5	B5	14.7"	(37 cm)
Rootball Height Spacing	S	3.1"	(8 cm)

All specifications are approximate



Dutchman

INDUSTRIES INC.

www.dutchmantreespade.com

Contact:

905-683-8233

800-293-0070

info@dutchmantreespade.com