

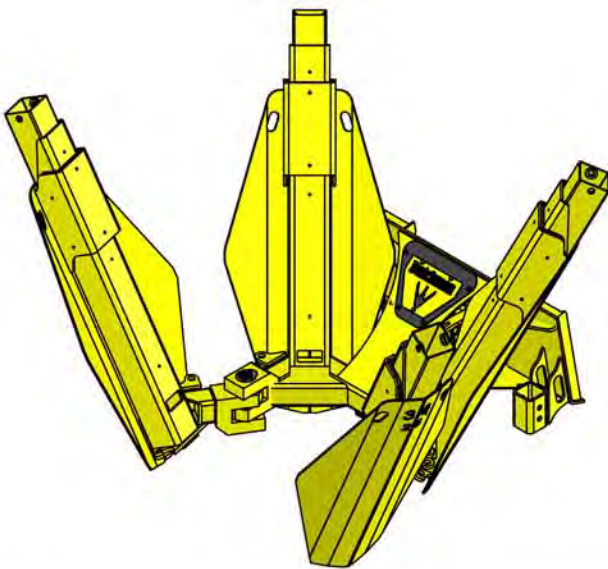
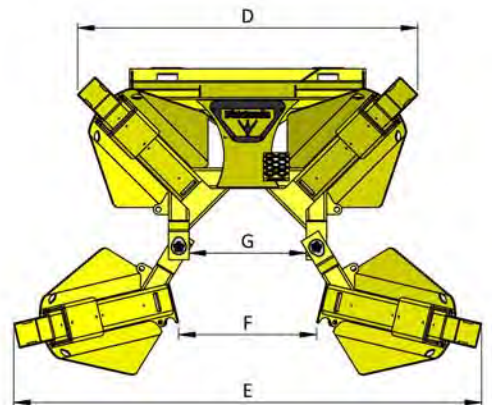
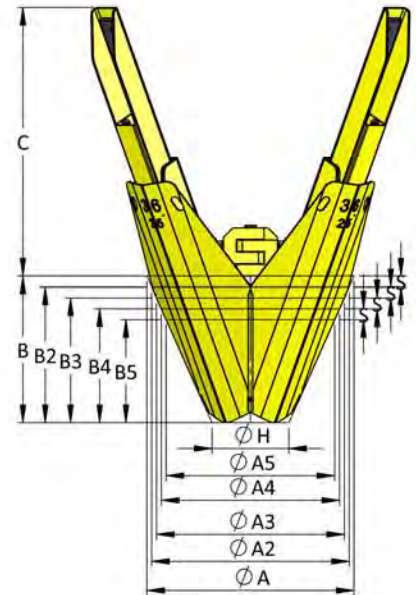
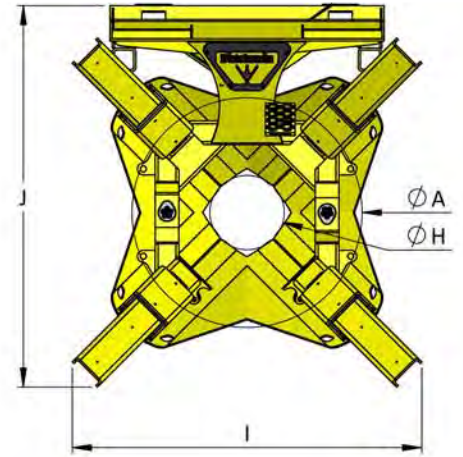


360i - 4 BLADE 25 DEGREE INSIDE FRAME

Basic Machine

Maximum Rootball Diameter	A	39"	(99 cm)
Root Ball Depth	B	27.5"	(70 cm)
Working Height	C	42.8"	(109 cm)
Working Width (Closed)	D	68.2"	(173 cm)
Working Width (Open)	E	98.8"	(251 cm)
Open Gate Clearance	F	34.5"	(88 cm)
Inner Diameter (Max Trunk Size)	G	23.3"	(59 cm)
Lower Rootball Diameter	H	12.6"	(32 cm)
Closed Width	I	61.5"	(156 cm)
Overall Length	J	69.1"	(176 cm)
Machine Weight	M	1850 lbs	(839 kg)
Rootball Weight	W	9 ft ³	(0.26 m ³)
Rootball Volume	V	1100 lbs	(499 kg)
Rootball Diameter 2	A2	35.2"	(89 cm)
Rootball Diameter 3	A3	31.4"	(80 cm)
Rootball Diameter 4	A4	27.7"	(70 cm)
Rootball Diameter 5	A5	23.9"	(61 cm)
Rootball Depth 2	B2	23.6"	(60 cm)
Rootball Depth 3	B3	19.6"	(50 cm)
Rootball Depth 4	B4	15.7"	(40 cm)
Rootball Depth 5	B5	11.8"	(30 cm)
Rootball Height Spacing	S	3.9"	(10 cm)

All specifications are approximate



Dutchman
INDUSTRIES INC.
www.dutchmantreespade.com

Contact:
905-683-8233
800-293-0070
info@dutchmantreespade.com