



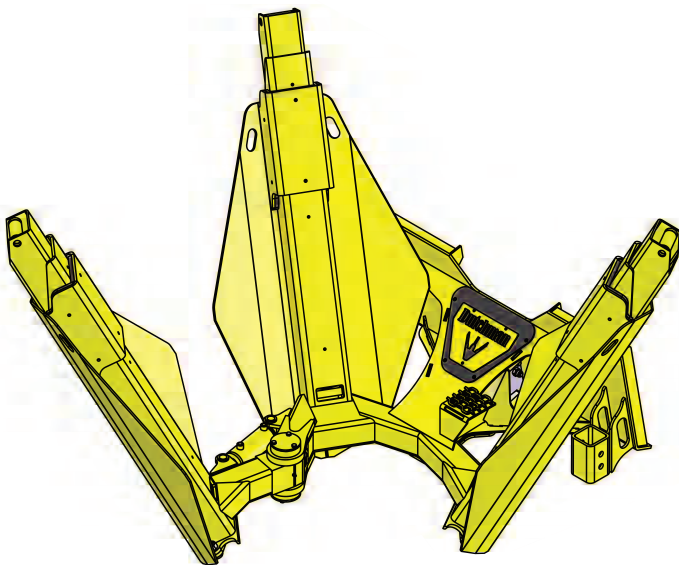
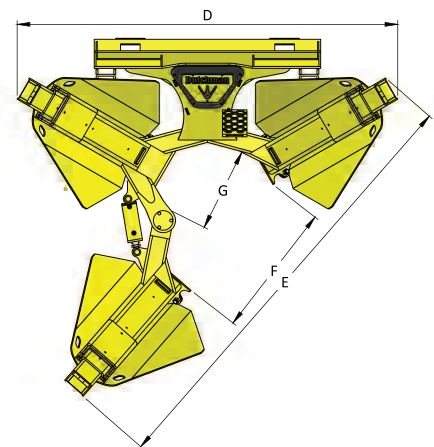
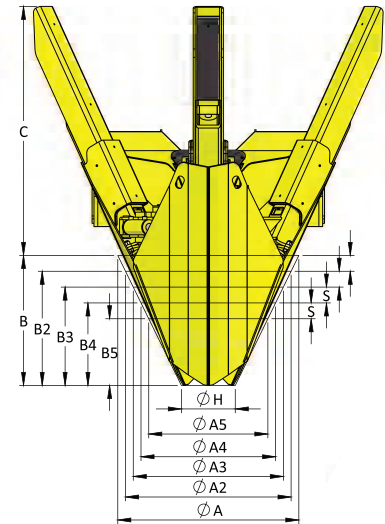
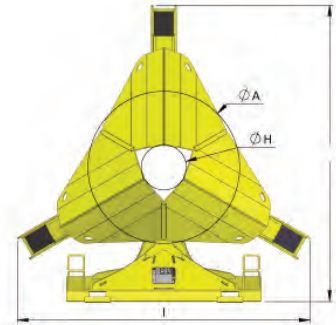
360i

3 BLADE 25 DEGREE INSIDE FRAME

Basic Machine

Maximum Rootball Diameter	A	38"	(97 cm)
Root Ball Depth	B	27.4"	(70 cm)
Working Height	C	51.6"	(131 cm)
Working Width (Closed)	D	85.2"	(216 cm)
Working Width (Open)	E	100.2"	(255 cm)
Open Gate Clearance	F	29.4"	(75 cm)
Inner Diameter (Max Trunk Size)	G	22.4"	(57 cm)
Lower Rootball Diameter	H	11"	(28 cm)
Closed Width	I	73"	(185 cm)
Overall Length	J	73.5"	(187 cm)
Machine Weight	M	1550 lbs	(703 kg)
Rootball Weight	W	8.2 ft ³	(0.23 m ³)
Rootball Volume	V	1070 lbs	(485 kg)
Rootball Diameter 2	A2	34.9"	(89 cm)
Rootball Diameter 3	A3	31.8"	(81 cm)
Rootball Diameter 4	A4	28.7"	(73 cm)
Rootball Diameter 5	A5	25.6"	(65 cm)
Rootball Depth 2	B2	24.3"	(62 cm)
Rootball Depth 3	B3	21.1"	(54 cm)
Rootball Depth 4	B4	18"	(46 cm)
Rootball Depth 5	B5	14.8"	(38 cm)
Rootball Height Spacing	S	3.1"	(8 cm)

All specifications are approximate



Dutchman
INDUSTRIES INC.

www.dutchmantreespade.com

Contact:

905-683-8233

800-293-0070

info@dutchmantreespade.com