



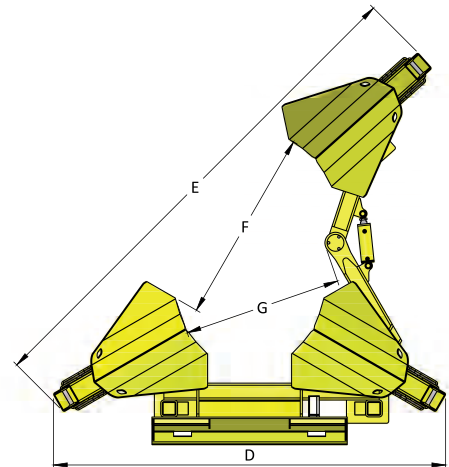
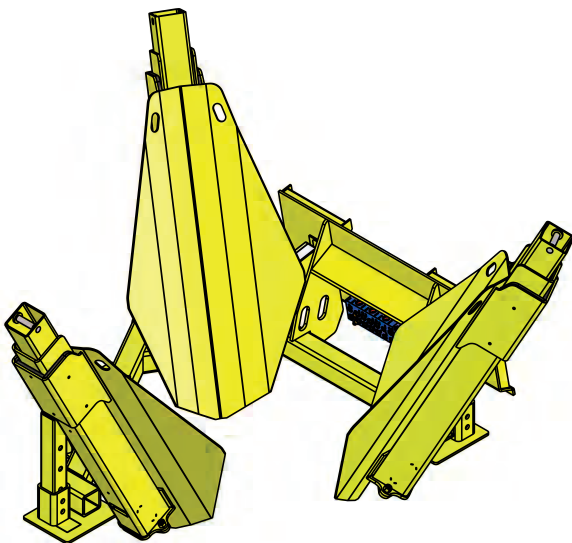
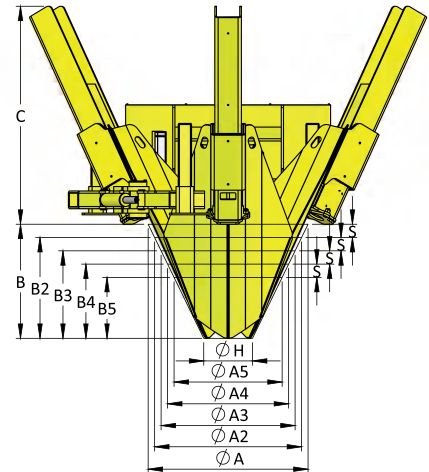
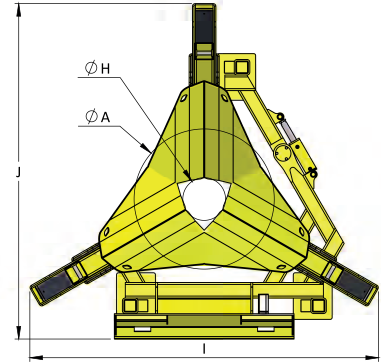
3300

3 BLADE 25 DEGREE OUTSIDE FRAME

Basic Machine

Maximum Rootball Diameter	A	36.1"	(92 cm)
Root Ball Depth	B	25.7"	(65 cm)
Working Height	C	49.1"	(125cm)
Working Width (Closed)	D	92.9"	(236cm)
Working Width (Open)	E	119.5"	(304cm)
Open Gate Clearance	F	46"	(117 cm)
Inner Diameter (Max Trunk Size)	G	37.6"	(96 cm)
Lower Rootball Diameter	H	11"	(28 cm)
Closed Width	I	89.8"	(228 cm)
Overall Length	J	86.4"	(219 cm)
Machine Weight	M	1700 lbs	(771 kg)
Rootball Weight	W	7.1 ft ³	(0.2 m ³)
Rootball Volume	V	900 lbs	(408 kg)
Rootball Diameter 2	A2	33"	(84 cm)
Rootball Diameter 3	A3	29.9"	(76 cm)
Rootball Diameter 4	A4	26.9"	(68 cm)
Rootball Diameter 5	A5	23.8"	(60 cm)
Rootball Depth 2	B2	22.6"	(57 cm)
Rootball Depth 3	B3	19.4"	(49 cm)
Rootball Depth 4	B4	16.3"	(41 cm)
Rootball Depth 5	B5	13.1"	(33 cm)
Rootball Height Spacing	S	3.1"	(8 cm)

All specifications are approximate



Dutchman

INDUSTRIES INC.

www.dutchmantreespade.com

Contact:

905-683-8233

800-293-0070

info@dutchmantreespade.com