

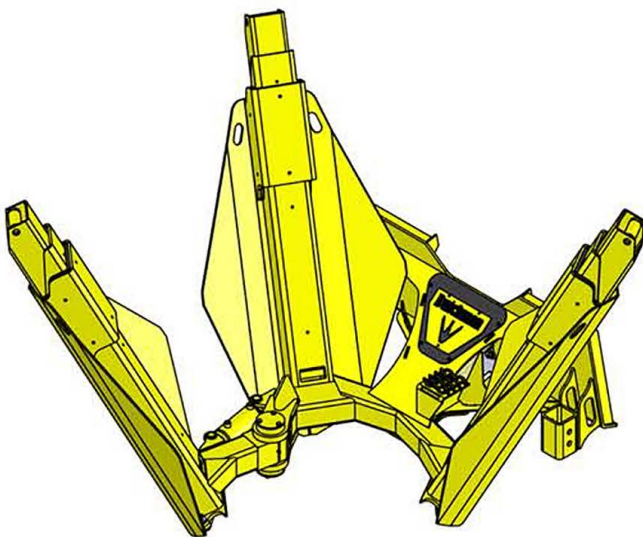
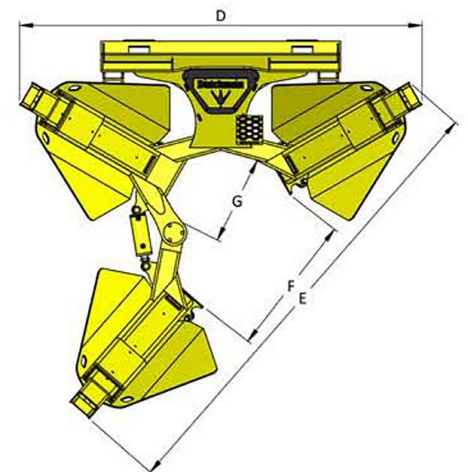
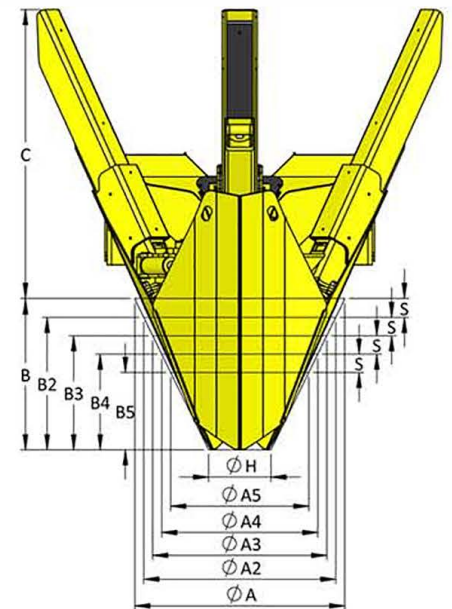
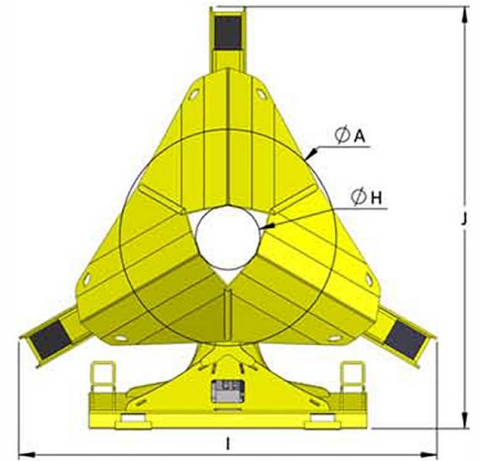


330i - 3 BLADE 25 DEGREE INSIDE FRAME

Basic Machine:

Maximum Rootball Diameter	A	34.9"	(89 cm)
Root Ball Depth	B	25.3"	(64.3 cm)
Working Height	C	50.1"	(126 cm)
Working Width (Closed)	D	77.7"	(197 cm)
Working Width (Open)	E	90"	(229 cm)
Open Gate Clearance	F	27.7"	(70 cm)
Inner Diameter (Max Trunk Size)	G	20.6"	(44 cm)
Lower Rootball Diameter	H	10.7"	(27 cm)
Closed Width	I	69.6"	(177 cm)
Overall Length	J	70.2"	(178 cm)
Machine Weight	M	1320 lbs	(599 kg)
Rootbal Weight	W	555 lbs	(252 kg)
Rootball Volume	V	6.54 ft ³	(0.19 m ³)
Rootball Diameter 2	A2	31.9"	(81 cm)
Rootball Diameter 3	A3	29.0"	(74 cm)
Rootball Diameter 4	A4	26.0"	(66 cm)
Rootball Diameter 5	A5	23.0"	(58.4 cm)
Rootball Depth 2	B2	22.2"	(56.4 cm)
Rootball Depth 3	B3	19.1"	(48.5 cm)
Rootball Depth 4	B4	16.0"	(40.6 cm)
Rootball Depth 5	B5	12.9"	(32.8 cm)
Rootball Height Spacing	S	3.1"	(8 cm)

All specifications are approximate.



Dutchman
INDUSTRIES INC.
www.dutchmantreespade.com

Contact:
905-683-8233
800-293-0070
info@dutchmantreespade.com