

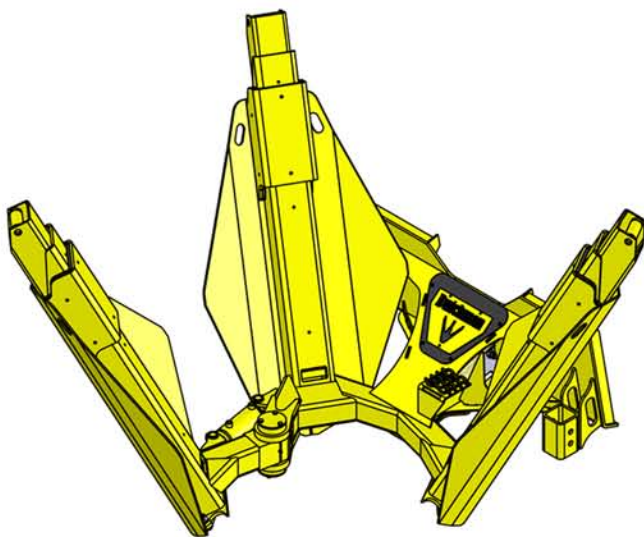
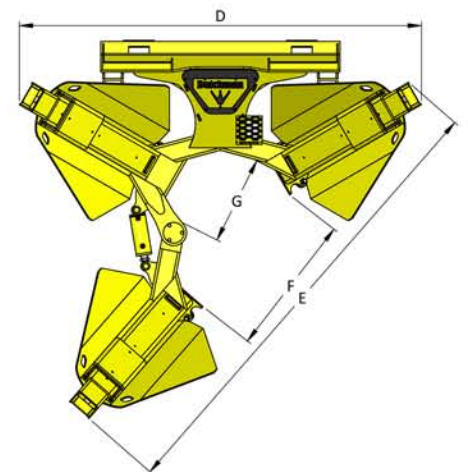
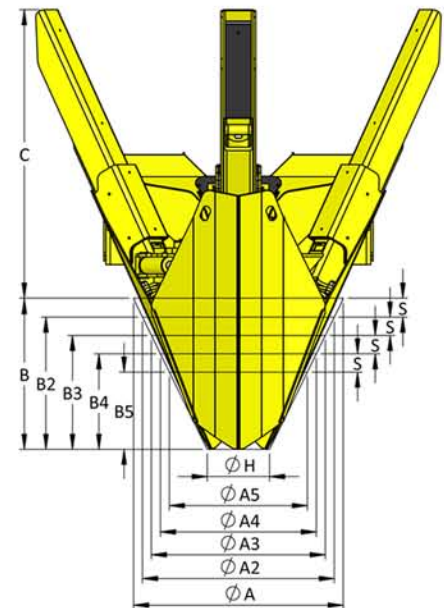
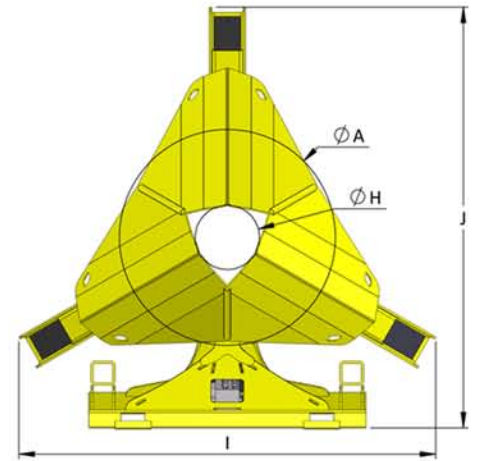


330i - 3 BLADE 25 DEGREE INSIDE FRAME

Basic Machine:

Maximum Rootball Diameter	A	35"	(89 cm)
Root Ball Depth	B	28.9"	(73 cm)
Working Height	C	49.6"	(126 cm)
Working Width (Closed)	D	77.7"	(197 cm)
Working Width (Open)	E	90"	(229 cm)
Open Gate Clearance	F	27.7"	(70 cm)
Inner Diameter (Max Trunk Size)	G	17.1"	(44 cm)
Lower Rootball Diameter	H	10.7"	(27 cm)
Closed Width	I	69.6"	(177 cm)
Overall Length	J	70.2"	(178 cm)
Machine Weight	M	1200 lbs	(544 kg)
Rootball Weight	W	900 lbs	(408 kg)
Rootball Volume	V	7.9 ft ³	(0.22 m ³)
Rootball Diameter 2	A2	33.3"	(84 cm)
Rootball Diameter 3	A3	30.5"	(77 cm)
Rootball Diameter 4	A4	27.7"	(70 cm)
Rootball Diameter 5	A5	25"	(63 cm)
Rootball Depth 2	B2	25.7"	(65 cm)
Rootball Depth 3	B3	22.6"	(57 cm)
Rootball Depth 4	B4	19.4"	(49 cm)
Rootball Depth 5	B5	16.3"	(41 cm)
Rootball Height Spacing	S	3.1"	(8 cm)

All specifications are approximate.



Dutchman
INDUSTRIES INC.
www.dutchmantreespade.com

Contact:
905-683-8233
800-293-0070
info@dutchmantreespade.com